



T 204 H
T 235 H



AUSA Center, S.L.
Ctra. de Vic Km 2.8
08243 Manresa
BARCELONA (ESPAÑA)
Tel.: +34 93 874 73 11
E-mail: ausa@ausa.com
www.ausa.com

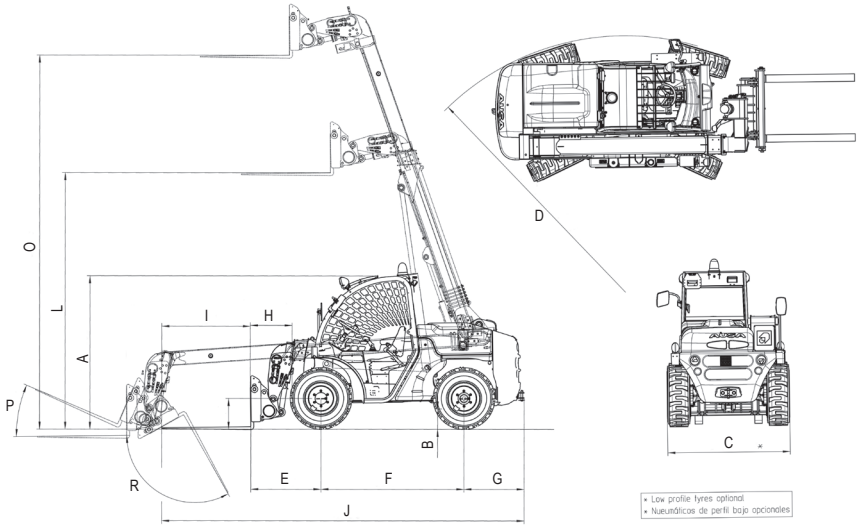


AUSA Madrid Pol. Ind. Coslada - C. Marconi 15-17, 28823 Coslada - MADRID (ESPAÑA) - Tel.: +34 91 669 00 06 - E-mail: ausa.madrid@ausa.com
AUSA France Z.I. Saint Charles - Rue de Zürich, 66000 PERPIGNAN (FRANCE) - Tel.: +33 (0) 4 68 54 38 97 - E-mail: ausa.france@ausa.com
AUSA Deutschland Tel.: +49 (0) 2384 9889905 - E-mail: ausa.deutschland@ausa.com
AUSA UK Tel.: +44 (0) 7970639988 - E-mail: ausa.uk@ausa.com
AUSA Brasil Avenida Belizario Ramos 2276 - Lages - SC, 88506-000 (BRASIL) - Tel.: +55 11 9 8786 6014 - E-mail: ausa.brasil@ausa.com
AUSAMéxico Calzada Vallejo 725 Del. Gustavo A. Madero - 07750 México D.F. (MÉXICO) - Tel.: +52 (55) 2166 9276 - E-mail: ausa.mexico@ausa.com
AUSA U.S. CORP. Tel.: +1 (917) 328 0770 - E-mail: ausa.us@ausa.com
AUSA Beijing Rep. Office Room 403, Moma Building, N.199 - Chaoyang bei road, Chaoyang District - 100026 BEIJING (CHINA)
Tel.: +86 10 8598 7386 - E-mail: ausa.china@ausa.com

T 204 H T 235 H

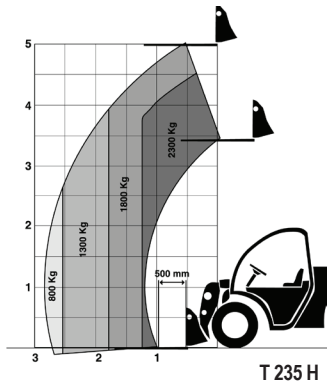
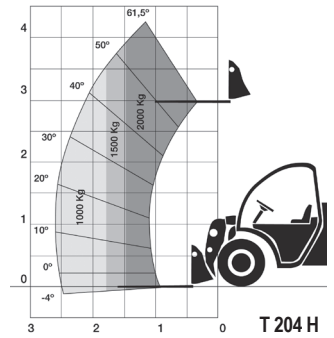
AUSA
www.ausa.com

DIMENSIONS (mm)	T 204 H	T 235 H
A	2030/1960*	2030/1960*
B	275	275
C	1595	1595
D	2877	2877
E	849	1000
F	1910	1910
G	705	785
H	459	548
I	1200	1200
J	4664	4860
L	2990	3451
O	4200	5032
P	+20°	+24°
R	-120°	-119°



TECHNICAL SPECIFICATIONS

		T 204 H	T 235 H
Load capacity	Max. load	2.000 Kg @ 500 mm	2.300 Kg @ 500 mm
	Load at max. height	2.000 Kg @ 500 mm	1.800 Kg @ 500 mm
Lifting height	Maximum lifting height	4.200 mm @ 500 mm	5.000 mm @ 500 mm
	Lifting height at max. load	4.200 mm @ 500 mm	4.500 mm @ 500 mm
Reach	Max reach	2.598 mm	2.732 mm
	Capacity at max reach	1.000 Kg	800 Kg (1.300 Kg @ 2.550 mm)
Unload weight		4.050 Kg	4.700 Kg
Engine	Diesel	Kubota V-2403	
	Power / rpm (SAE J1995)	36.5 Kw (50 CV)	
	N° of cylinders	4	
	Cooling system	Water	
Traction		4x4x4 permanent	
Transmission		Hydrostatic 2 gears	Hydrostatic with automatic regulation
		Electric gear inverter in joystic	Electric gear inverter in joystic
Engine starting system		Electric	
Speed		24 Km/h	
Gradeability		50%	44%
Hydraulic circuit	Working pressure	240 bar	
	Hydraulic pump	24 cc	
	Flow circuit	56 l/min	
Tyres	Front	10 / 75 - 15.3 (14PR)	10 / 75 - 15.3 (18PR)
	Rear	10 / 75 - 15.3 (14PR)	10 / 75 - 15.3 (18PR)
External turning radius (mm)		2.877 mm	2.877 mm
Steering	Type	Hydraulic	
	Mode	front wheel steer / all wheel steer / crab steer	
Tank capacity	Fuel	65 l	
	Hydraulic fluid	70 l	
Service brake		Disc brake, hydraulically actuated	
Parking brake		Mechanically actuated disk-brake	
STANDARD EQUIPMENT		Homologated FOPS/ROPS tilding cabin for easy service	
		Joystick with integrated functions, "total control of movements"	
		Adjustable ergonomic seat with safety belt	
		Rear view mirror	
		Audible reverse warning	
		Rotating beacon	
		Antivandalic system	
		Limited slip differential on front axle	
		4th auxiliary hydraulic service with quick coupling	
		Road Traffic Selector: Lock joystick and 2 front wheels steering	
		Active safety system with boom locking by instability/	
		Engine start lock with hand brake activated / Control arm lock without driver	
		Semi-closed cabin	
		Closed soundproof cabin with heater	
		Air conditioning integrated under the cabin	
	Radiostereo CD		
	Adjustable steering column		
	Front protective grille		
	Load backrest		
	Electronic anti theft protection system		
	Homologated lighting equipment		
	Working light		
	5th auxiliary hydraulic service with quick coupling		
	Hydraulic quick coupling system (Universal SLL type or Euro)		
	4th auxiliary hydraulic service with continuous flow		
	Other tyres pattern available		
	FEM II forks carriage with or without integrated side-sift (TDL)		
	Bucket 4 in 1		
	Bucket 600 lt / Bucket 700 lt / Bucket 1.000 lt		
	Multiple attachments available proven and tested from factory		
OPTIONAL EQUIPMENT			



AUSA reserves the right to make any changes in the specifications without prior notice.