



T 144 H PLUS



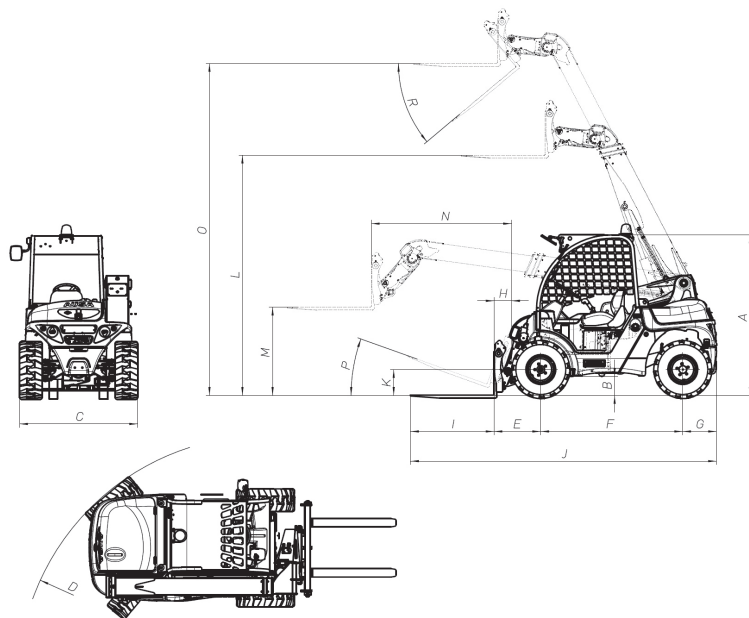
FEM-AEM

T 144 H PLUS



www.ausa.com

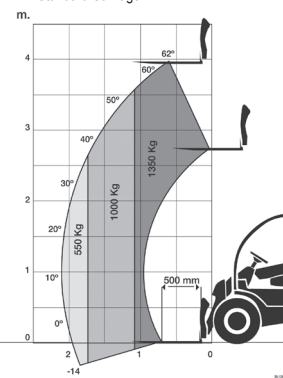
DIMENSIONS (mm)	
T 144 H PLUS	
A	1942
B	270
C	1410
D	2982
E	580
F	1700
G	383
H	230
I	1000
J	3710
K	310
L	2900
M	1057
N	1690
O	3970
P	20°
R	40°



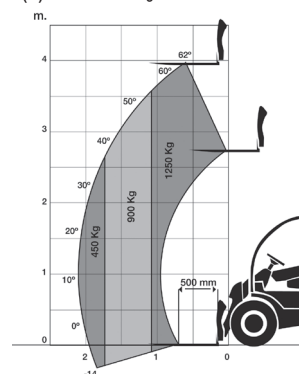
TECHNICAL SPECIFICATIONS

		T 144 H PLUS
Load capacity	Max. load	1.350 Kg (1.250 Kg with Side shift @ 500 mm ^(*)) (1150 Kg with quick tach ^(**))
	Load at max. height	1.350 Kg (1.250 Kg with Side shift @ 500 mm ^(*)) (1150 Kg with quick tach ^(**))
Lifting height	Maximum lifting height	3.990 mm @ 500 mm
	Lifting height at max. load	3.990 mm @ 500 mm
Reach	Max reach	2.180 mm
	Capacity at max reach	550 Kg (450 Kg with Side shift ^(*)) (350 Kg with quick tach ^(**))
Unload weight		2.400 Kg
Engine	Diesel	Kubota V-1505
	Power acc./SAE J1995 (KW / HP)	22.7 / 30.8
	N° of cylinders	4
	Cooling system	Water
Traction		Permanent 4WD with automatic and hydraulic limited-slip wheels system exclusive AUSA
Transmission		Hydrostatic with variable flow pump automatic regulation (PATENTED) exclusive AUSA. Electrical inverter in joystick
Engine starting system		Electric
Speed		17 Km/h
Gradient negotiable (with full load)		26%
Hydraulic circuit	Working flow & pressure	19l @ 240 bar
	Tyres	Front Rear
External turning circle		2.982 mm
Steering		Hydraulic / Rear wheels
Tank capacity	Fuel	55 l
	Hydraulic fluid	32 l
Service brake		Hydrostatic retardation system
Parking brake		Mechanically applied hydraulically released inside the hydrostatic motor
STANDARD EQUIPMENT		Automatic audio-visual load moment indicator warning system
		Active safety equipment with boom locking by instability
		Homologated ROPS-FOPS cabin
		Joystick with integrated functions, "total control of movements"
		Adjustable ergonomic seat with safety belt
		Rear view mirror
		Audible reverse warning
		Rotating beacon
		Antivandalic system
		4th auxiliary hydraulic service with quick coupling
		Semi-closed cabin / Closed soundproof cabin with heater
		Windscreen front protective grid
		Load back rest
		Electronic anti-theft protection system
	OPTIONAL EQUIPMENT	
		5th auxiliary hydraulic service with quick coupling plugs
		27x10-12 Wheels (SSL - Construction Pattern)
		FEM II forks carriage with or without integrated side-sift (TDL) ^(*)
		Bucket (300 l) / Multifunction 4 en 1 bucket
		Multiple attachments available proven and tested from factory
		Hydraulic quick-tach carriage EURO 8 type (1150 Kg load capacity) ^(**)
		Hydraulic quick-tach carriage Universal-SSL type (1150 Kg load capacity) ^(**)
		High & continous flow (45 l/min @ 200 bar)

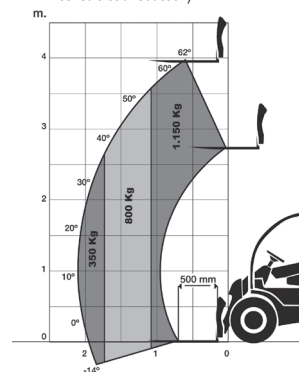
Standard Carriage



(*) Standard carriage with side-shift



(**) Universal / Euro 8 carriage (with side-shift consult load reduction)



AUSA reserves the right to make any changes in the specifications without prior notice.